



US00D743716S

(12) **United States Design Patent**
Dillon et al.

(10) **Patent No.:** **US D743,716 S**

(45) **Date of Patent:** **** Nov. 24, 2015**

(54) **CUSTOMER SERVICE DESK**

(56) **References Cited**

(71) Applicant: **DBSI, Inc.**, Chandler, AZ (US)

U.S. PATENT DOCUMENTS

(72) Inventors: **John Dillon**, Gilbert, AZ (US); **Jim Ransco, II**, Paradise Valley, AZ (US); **John W. Smith**, Scottsdale, AZ (US)

D186,894	S	*	12/1959	Henrikson	D6/427
D220,767	S	*	5/1971	Power	D6/421
D253,442	S	*	11/1979	Winig	D6/426
D281,293	S	*	11/1985	Johnston	D6/420
D452,391	S	*	12/2001	Efron et al.	D6/422
2003/0051415	A1	*	3/2003	Remelts et al.	52/36.1
2006/0249649	A1	*	11/2006	Volk et al.	248/917

(73) Assignee: **DBSI, Inc.**, Chandler, AZ (US)

* cited by examiner

(**) Term: **14 Years**

Primary Examiner — Janice Seeger

(21) Appl. No.: **29/525,767**

(74) *Attorney, Agent, or Firm* — Morgan Law Offices, PLC

(22) Filed: **May 1, 2015**

(57) **CLAIM**

The ornamental design for a customer service desk, as shown and described.

Related U.S. Application Data

DESCRIPTION

(62) Division of application No. 29/478,816, filed on Jan. 8, 2014, now Pat. No. Des. 730,658.

(51) **LOC (10) Cl.** **06-03**

FIG. 1 is a perspective view of a customer service desk, showing our new design;

(52) **U.S. Cl.**

FIG. 2 is a front view thereof;

USPC **D6/650**; D6/643; D6/652

FIG. 3 is a rear view thereof;

(58) **Field of Classification Search**

USPC D6/641-643, 650, 650.1, 651, 652,

FIG. 4 is a first side view thereof;

D6/652.1, 651.1; D14/304, 305

FIG. 5 is a second side view thereof;

CPC A47B 13/10; A47B 13/12; A47B 17/00;

FIG. 6 is a top plan view thereof; and,

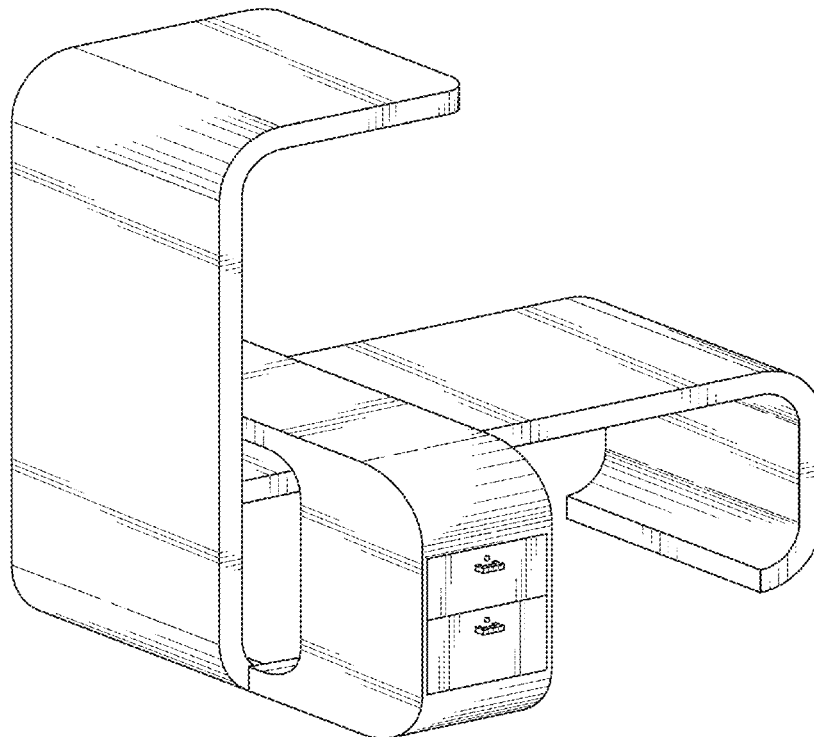
A47B 21/00; A47B 21/04; A47B 2021/00

FIG. 7 is a bottom plan view thereof.

See application file for complete search history.

Broken lines in the drawings are for illustrative purposes only and form no part of the claimed design.

1 Claim, 4 Drawing Sheets



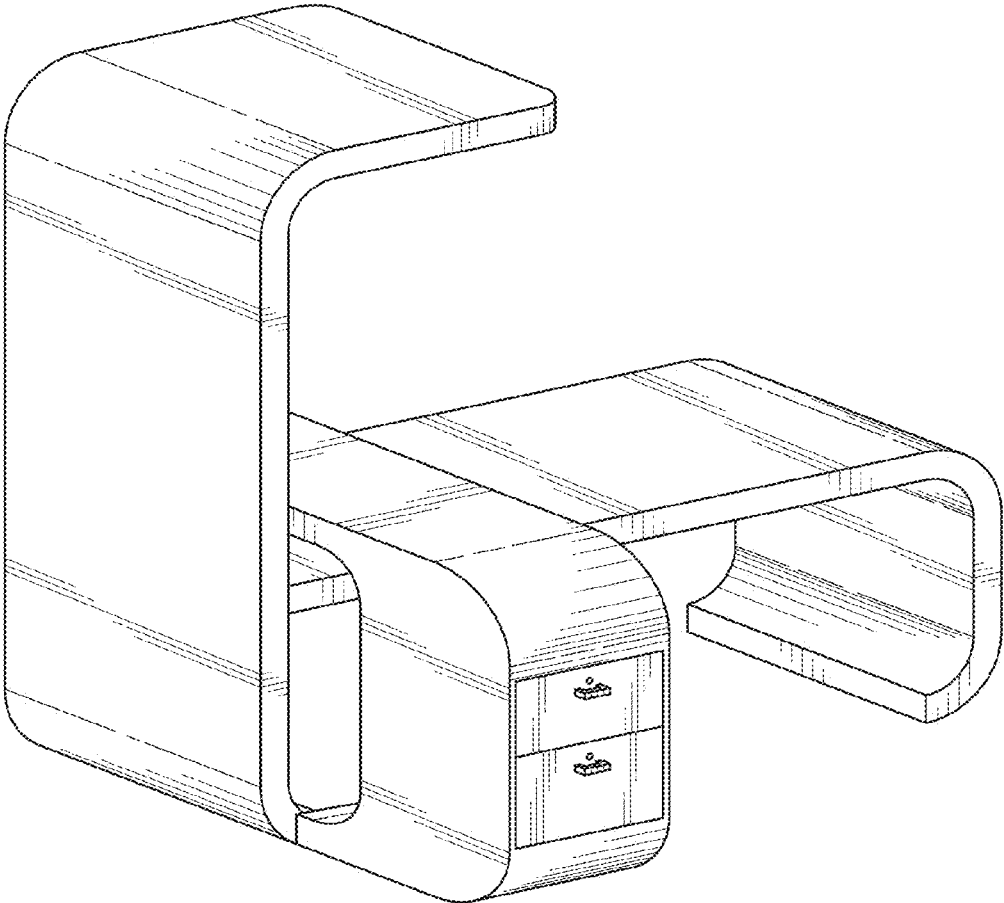


FIG. 1

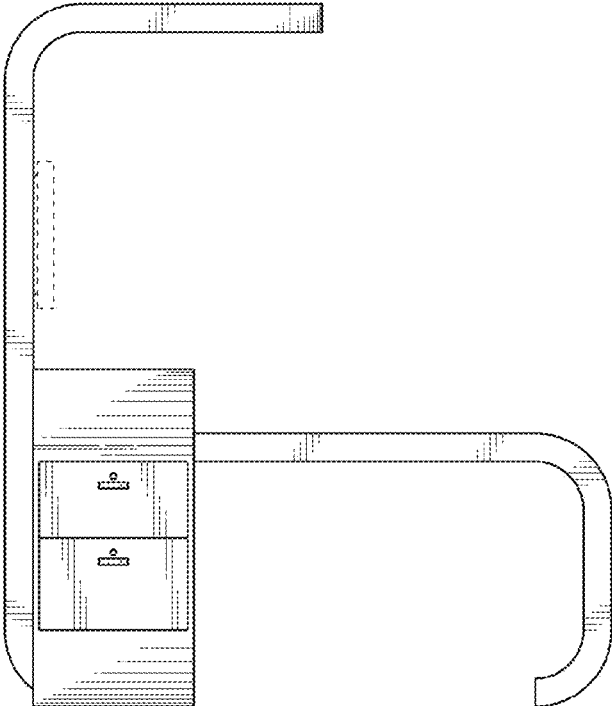


FIG. 2

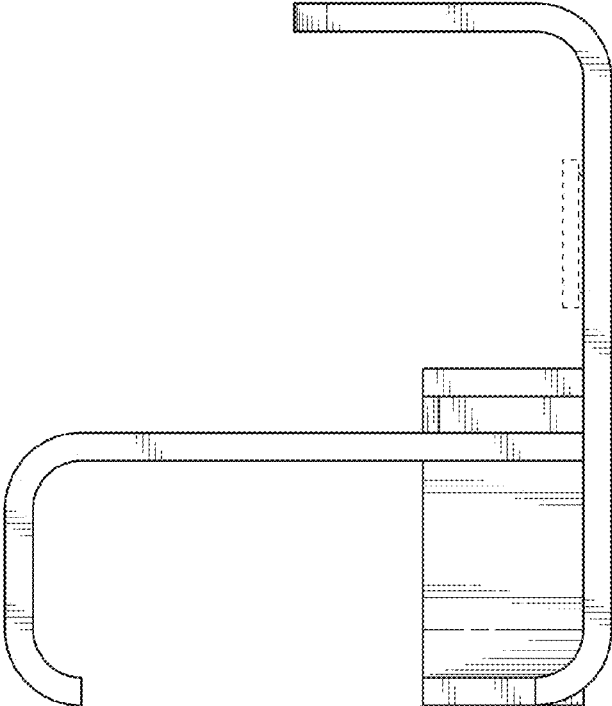


FIG. 3

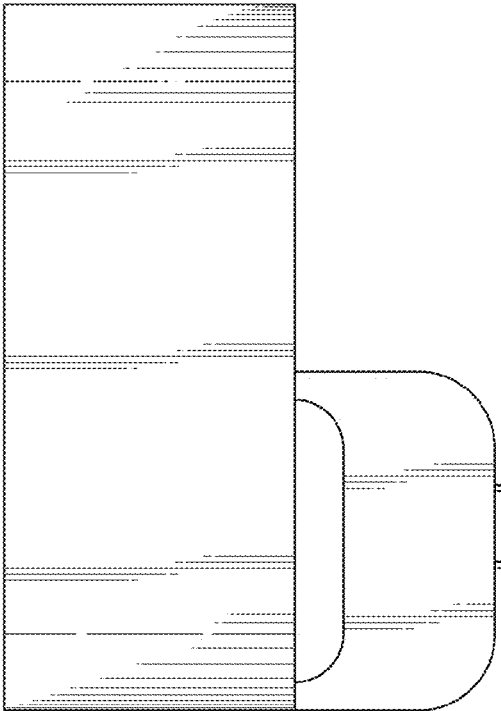


FIG. 4

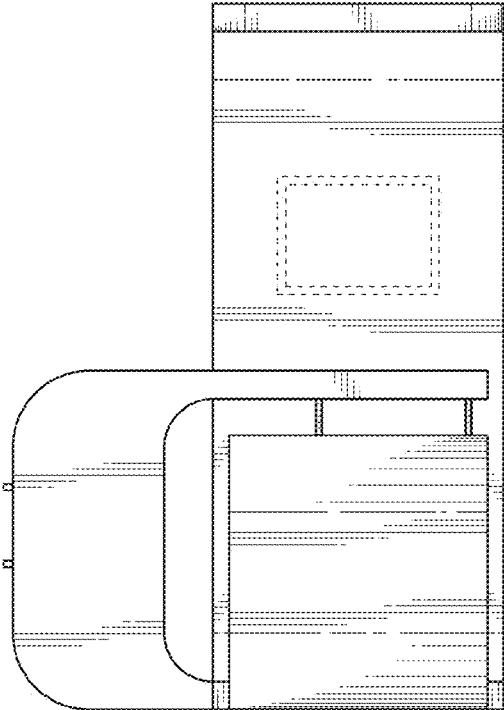


FIG. 5

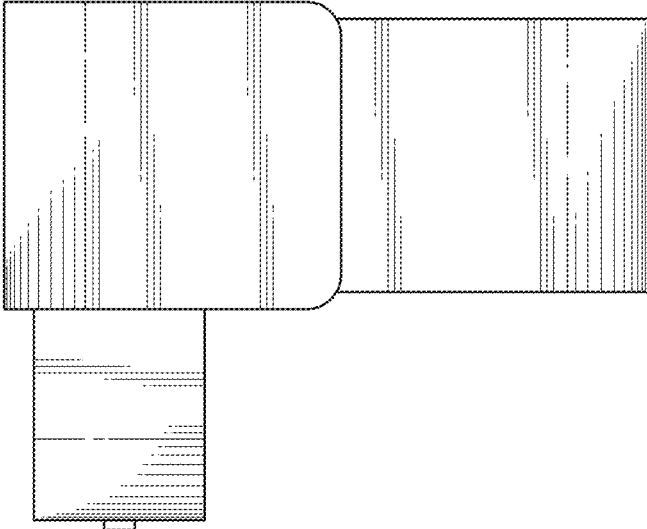


FIG. 6

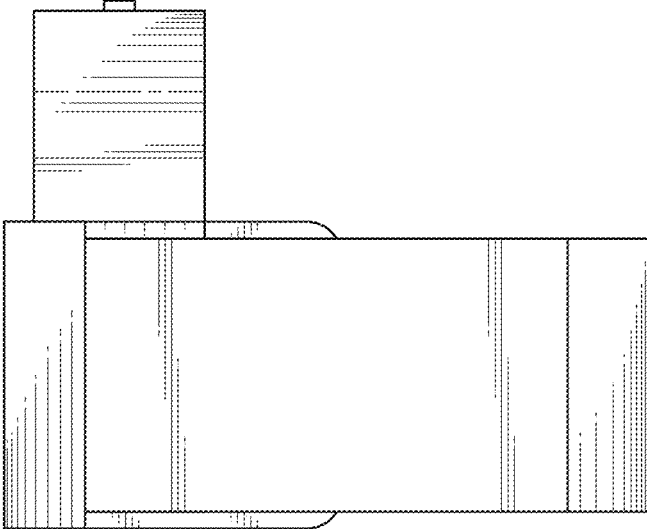


FIG. 7