



US00D730658S

(12) **United States Design Patent**
Dillon et al.

(10) **Patent No.:** **US D730,658 S**

(45) **Date of Patent:** **** Jun. 2, 2015**

(54) **CUSTOMER SERVICE DESK**

(56) **References Cited**

(71) Applicant: **DBSI, Inc.**, Chandler, AZ (US)

U.S. PATENT DOCUMENTS

(72) Inventors: **John Dillon**, Gilbert, AZ (US); **Jim Ransco, II**, Paradise Valley, AZ (US); **John W. Smith**, Scottsdale, AZ (US)

D186,894	S	*	12/1959	Henrikson	D6/427
D220,767	S	*	5/1971	Power	D6/421
D253,442	S	*	11/1979	Winig	D6/426
D281,293	S	*	11/1985	Johnston	D6/420
D452,391	S	*	12/2001	Efron et al.	D6/422
2003/0051415	A1	*	3/2003	Remelts et al.	52/36.1
2006/0249649	A1	*	11/2006	Volk et al.	248/917

(73) Assignee: **DBSI, Inc.**, Chandler, AZ (US)

* cited by examiner

(**) Term: **14 Years**

Primary Examiner — Janice Seeger

(21) Appl. No.: **29/478,816**

(74) *Attorney, Agent, or Firm* — Morgan Law Offices, PLC

(22) Filed: **Jan. 8, 2014**

(57) **CLAIM**

The ornamental design for the customer service desk, as shown and described.

(51) **LOC (10) Cl.** **06-03**

DESCRIPTION

(52) **U.S. Cl.**

USPC **D6/650**; D6/643; D6/652.1

FIG. 1 is a perspective view of a customer service desk, showing our new design;

FIG. 2 is a front view thereof;

FIG. 3 is a rear view thereof;

FIG. 4 is a first side view thereof;

FIG. 5 is a second side view thereof;

FIG. 6 is a top plan view thereof; and,

FIG. 7 is a bottom plan view thereof.

Broken lines in the drawings are for illustrative purposes only and form no part of the claimed design.

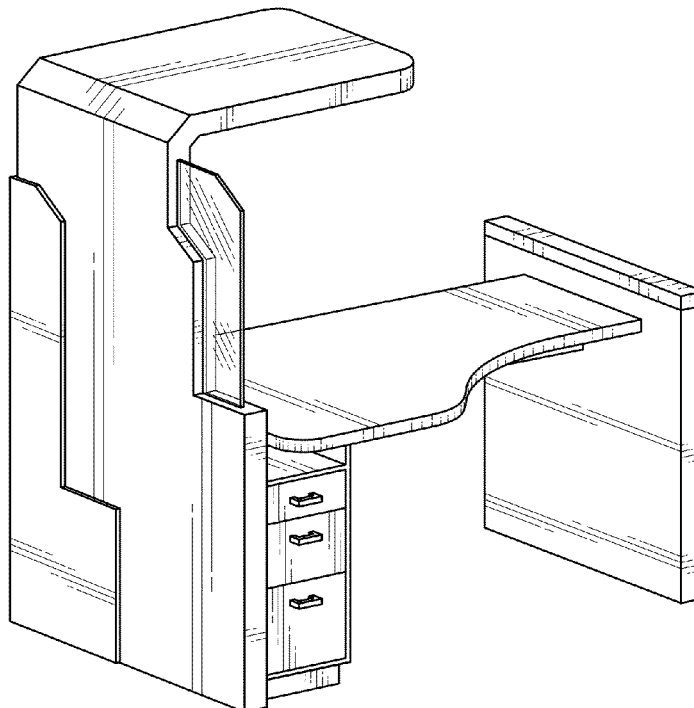
(58) **Field of Classification Search**

USPC D6/641–643, 650, 650.1, 651, 652, D6/652.1, 651.1; D14/304, 305

CPC A47B 13/10; A47B 13/12; A47B 17/00; A47B 21/00; A47B 21/04; A47B 2021/00

See application file for complete search history.

1 Claim, 4 Drawing Sheets



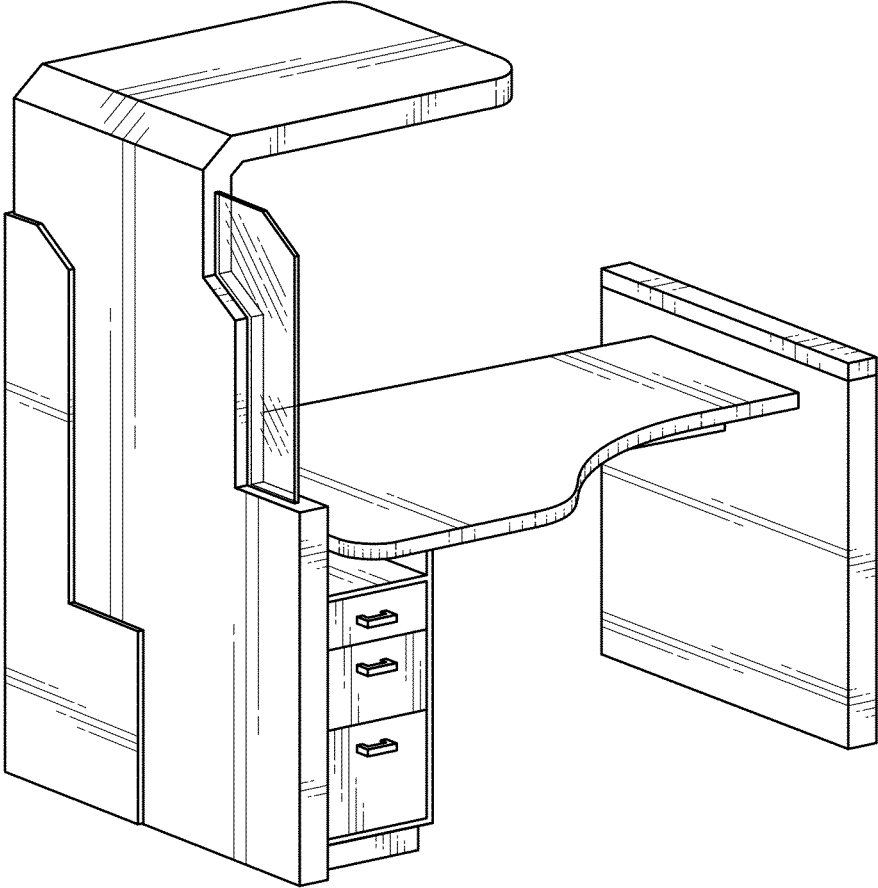


FIG. 1

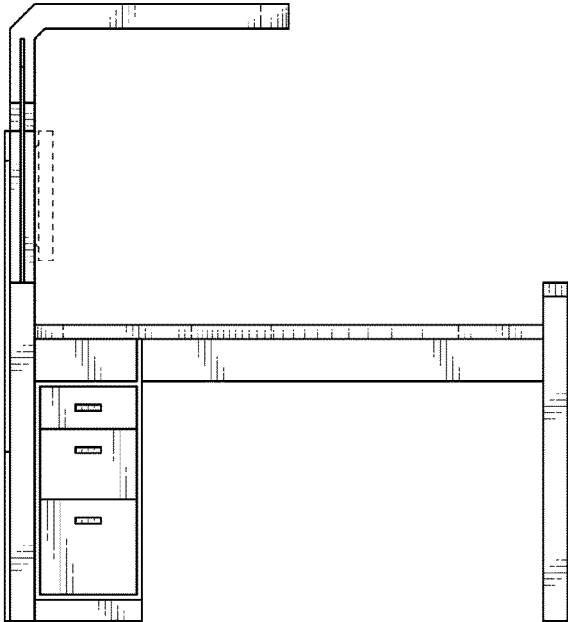


FIG. 2

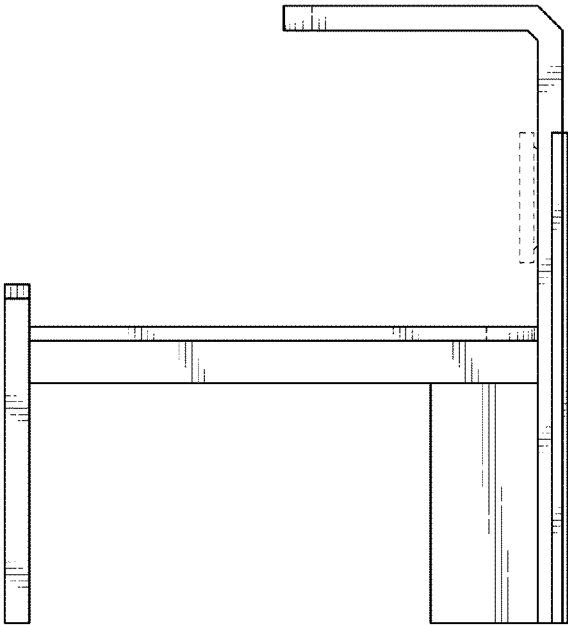


FIG. 3

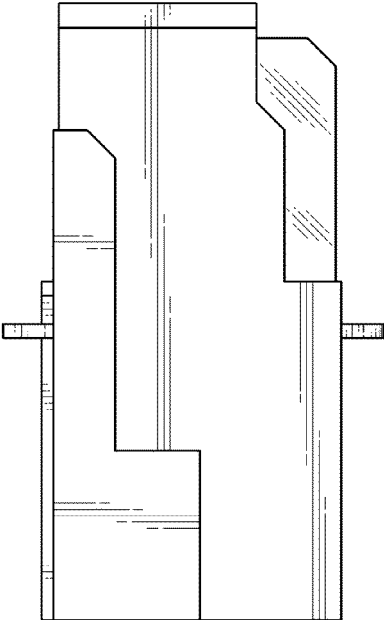


FIG. 4

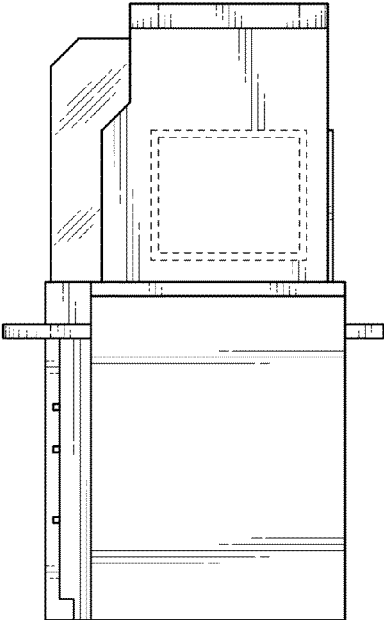


FIG. 5

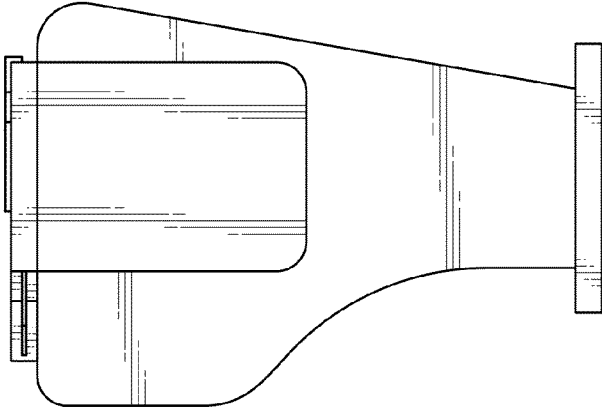


FIG. 6

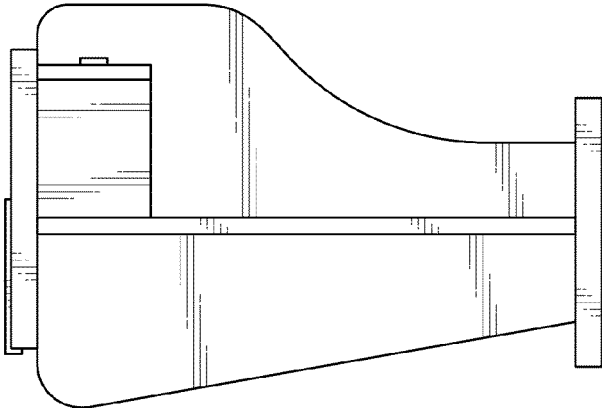


FIG. 7